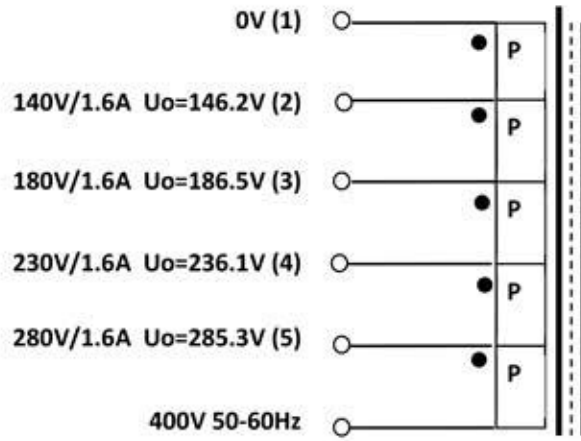


Description: Autotransformer Input: 400V Output: 140V/180V/230V/280V // 1.6A

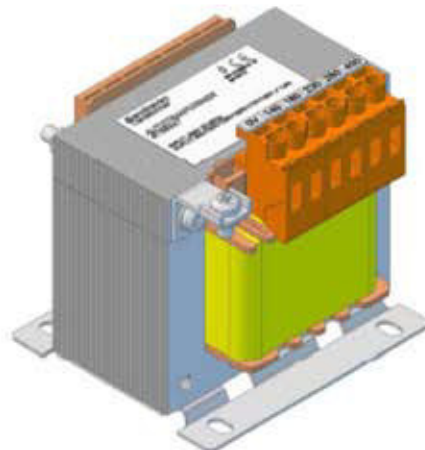
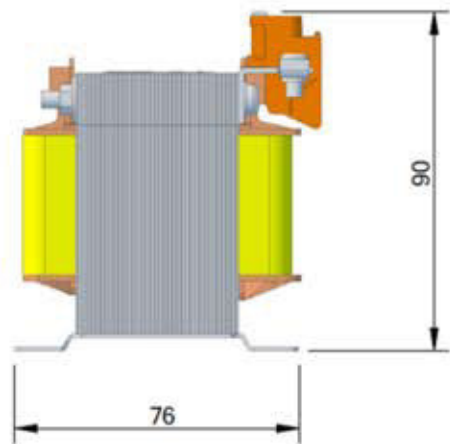
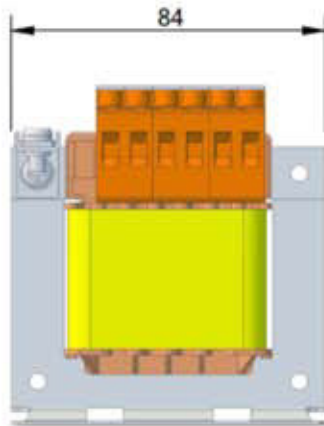
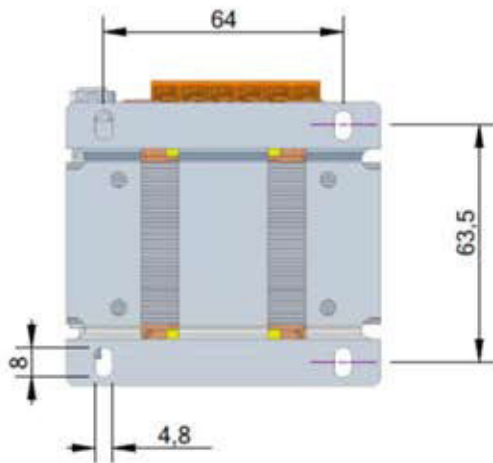
Rev.	ST no.	Initials	Sign	Date	Appr.	Sign	Changes
1	59356	AG		18.12.2018	JS		Initial version



Temperature class: B

$T_a = 40^\circ\text{C}$

Description: Autotransformer Input: 400V Output: 140V/180V/230V/280V // 1.6A



**Scandinavian
Transformer**